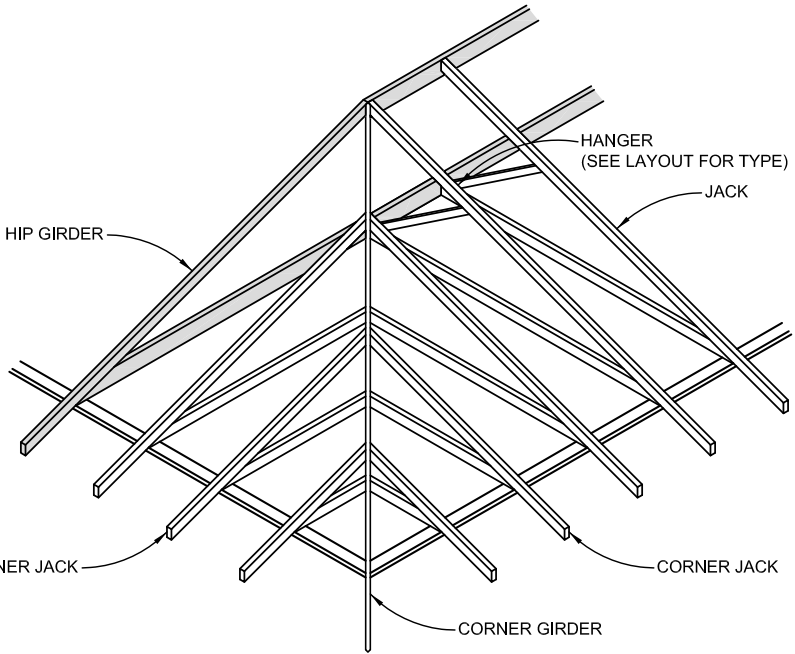
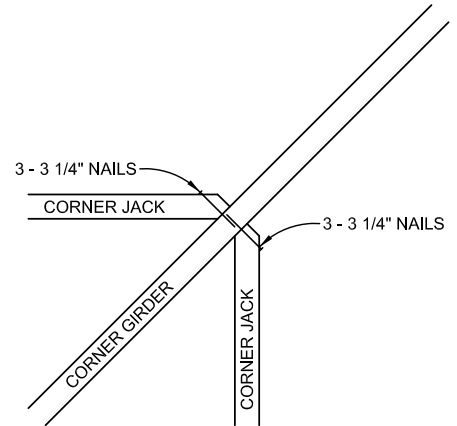
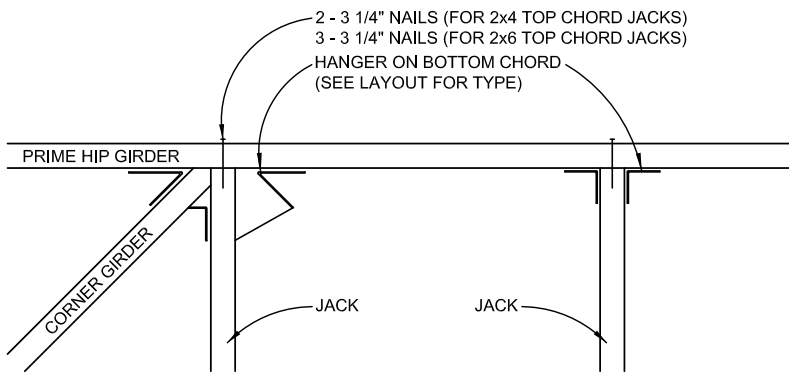


PLAN VIEW



NAILING REQUIREMENTS

THE FOLLOWING DIAGRAMS SHOW THE NAILING REQUIREMENTS FOR THE CORNER SYSTEMS SUPPLIED.



CORNER GIRDER SYSTEM FRAMING (STEPDOWN)

NOT TO SCALE

