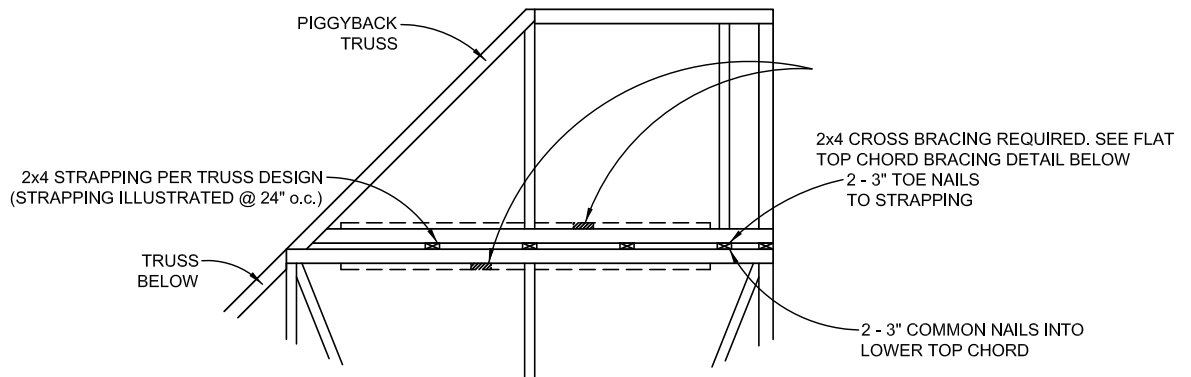


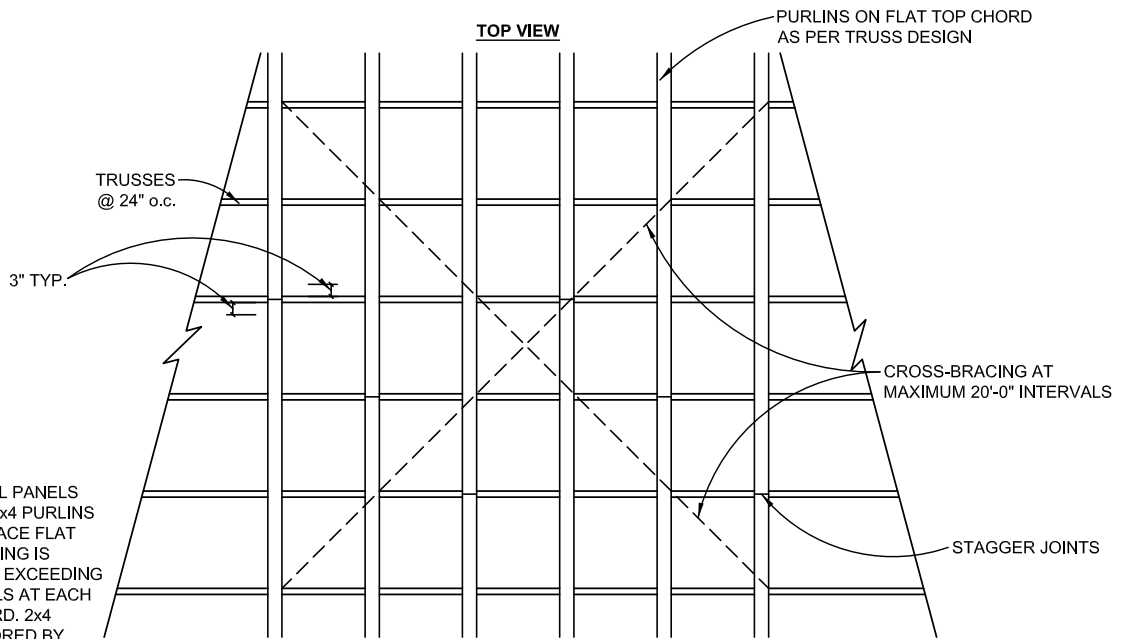
PIGGYBACK FRAMING DETAIL A

NOT TO SCALE



PIGGYBACK FRAMING DETAIL B

NOT TO SCALE



FLAT TOP CHORD BRACING DETAIL

NOT TO SCALE

NOTE: IN LIEU OF STRUCTURAL PANELS (PLYWOOD SHEATHING) USE 2x4 PURLINS AS PER TRUSS DESIGN TO BRACE FLAT TOP CHORD. 2x4 CROSS BRACING IS REQUIRED AT INTERVALS NOT EXCEEDING 20'-0". USE 2 - 3" COMMON NAILS AT EACH CROSSING OF FLAT TOP CHORD. 2x4 PURLINS MAY ALSO BE ANCHORED BY EXTENDING THE PURLINS TO THE LAST HIP TRUSS IN A HIP SET CONNECTED TO THE ROOF DIAPHRAGM.

