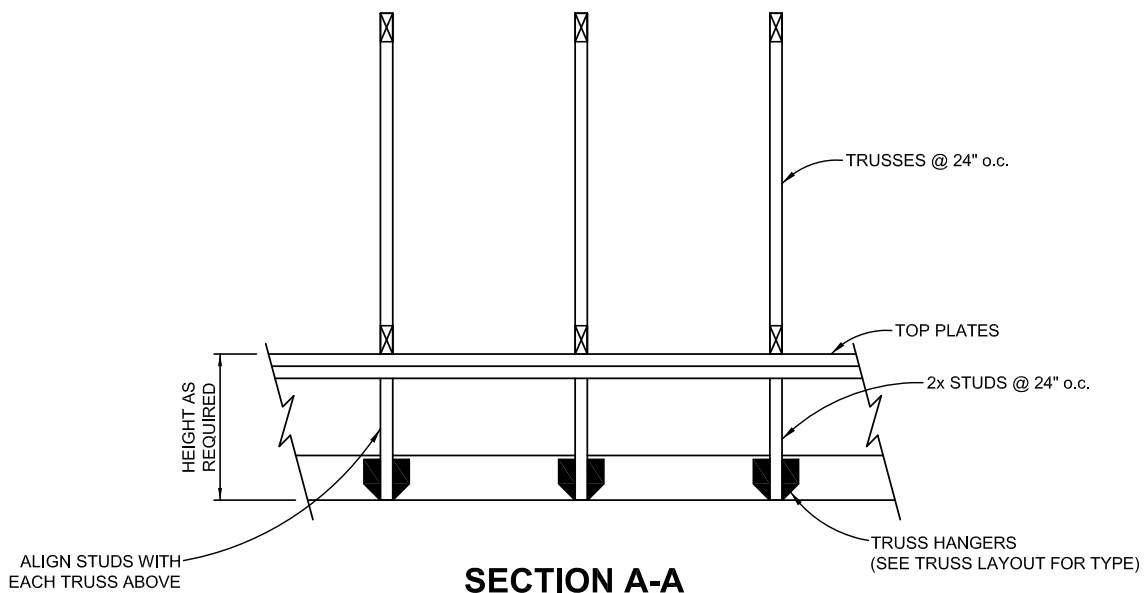


**PONY WALL BEARING DETAIL**

NOT TO SCALE



**SECTION A-A**

NOT TO SCALE

