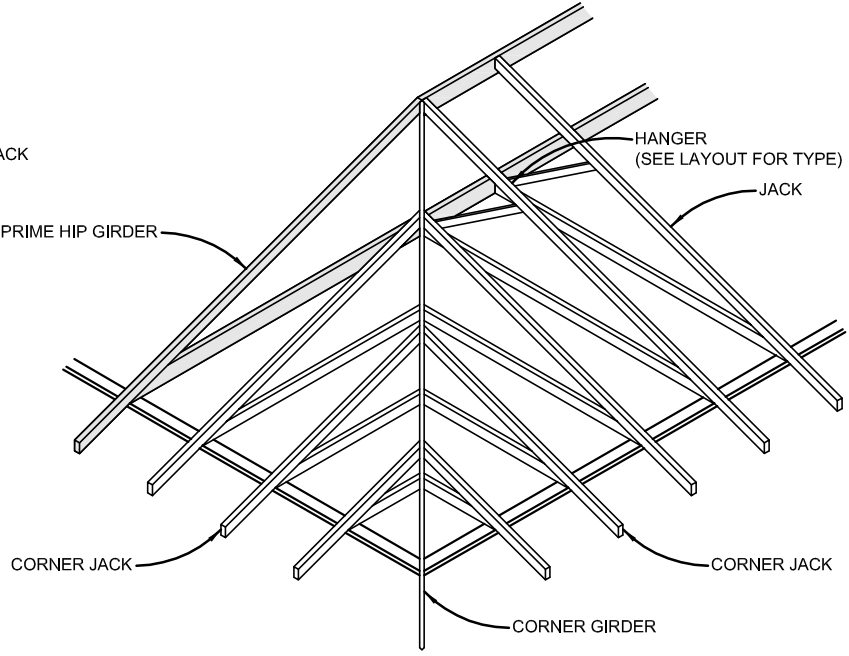
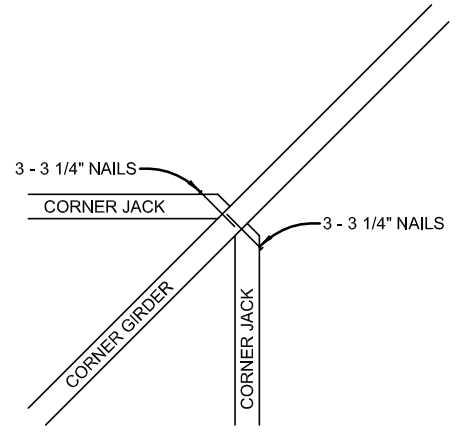
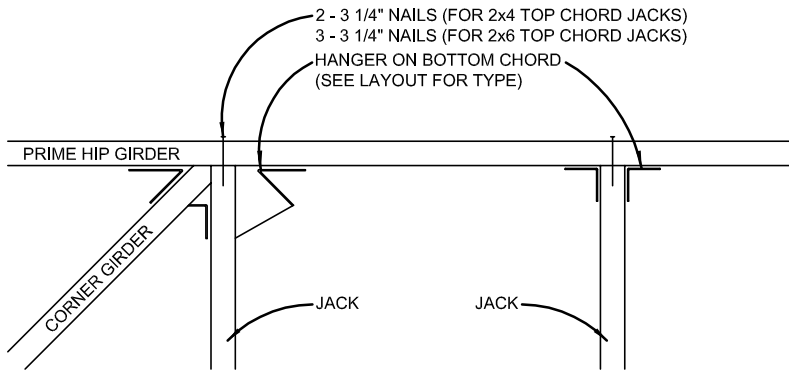


**PLAN VIEW**



**NAILING REQUIREMENTS**

THE FOLLOWING DIAGRAMS SHOW THE NAILING REQUIREMENTS FOR THE CORNER SYSTEMS SUPPLIED.



**CORNER GIRDER SYSTEM FRAMING (STEPDOWN)**

NOT TO SCALE