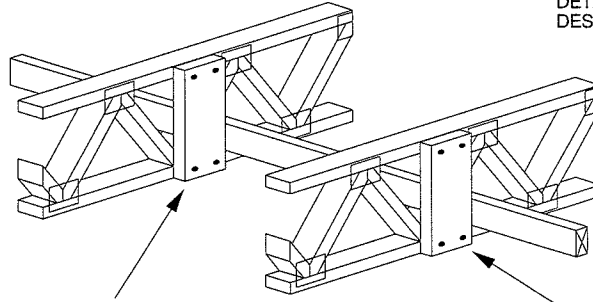


SEE MITEK TRUSS DESIGN REFERENCING THIS DETAIL FOR SIZE OF STRONGBACK AND ADDITIONAL DESIGN INFORMATION

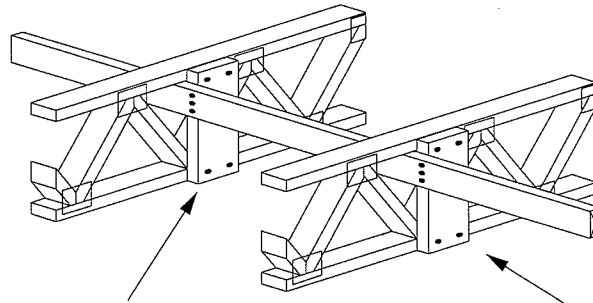
A



Vertical block attached to top and bottom chord with 2 - 3" common wire nails

Place strongbacks on bottom chord, and connect to vertical block with 3 - 3" common wire nails

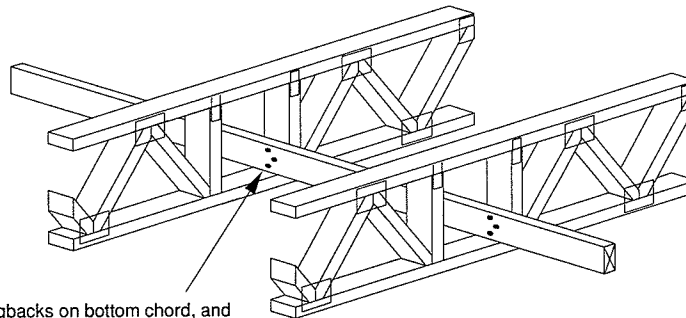
B



Vertical block attached to top and bottom chord with 2 - 3" common wire nails

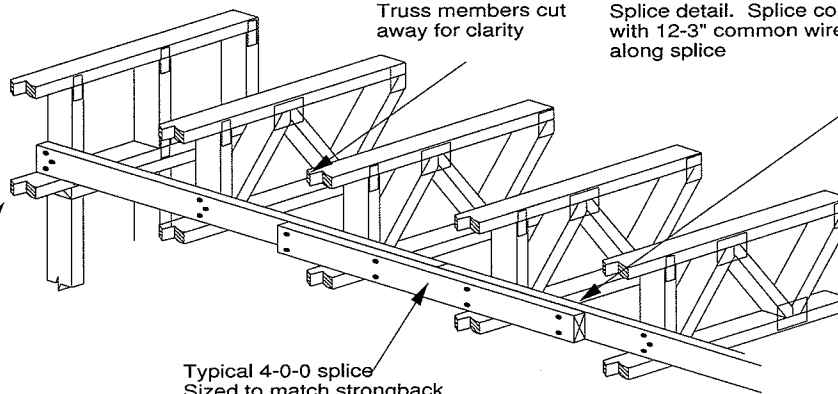
Place strongbacks against top chord, and connect to vertical block with 3 - 3" common wire nails

C



Place strongbacks on bottom chord, and connect to vertical web with 3 - 3" common wire nails

D



Truss members cut away for clarity

Splice detail. Splice connected to strongback with 12-3" common wire nails equally spaced along splice

Typical 4-0-0 splice
Sized to match strongback

End Detail. Connect each end of strongback to gable ladder vertical webs using 3 - 3" common wire nails



MiTek Canada, Inc.
100 Industrial Rd., P.O. Box 1329
Bradford, Ontario, L3Z 2B7

